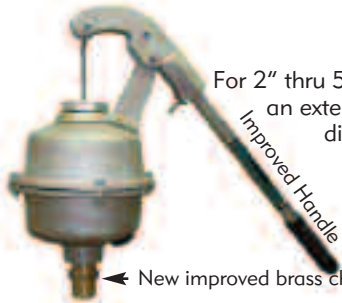


2178 Centurion Place • Boise, ID 83709 • 888.375.1411 • 208.375.1411 • Fax: 208.375.8022 • www.bafsc.com

Primer Pumps & Parts

Effective 1/1/10



For 2" thru 5" pumps. Has an external rubber air discharge valve.

← New improved brass check valve.



For 6" & larger pumps. Has an automatic shutoff valve built in the diaphragm.



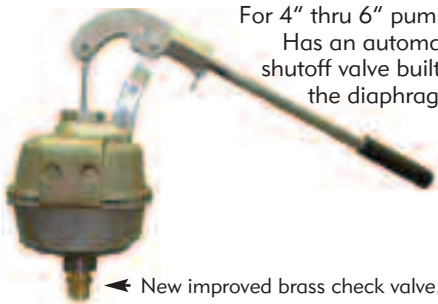
502-03



502-04

6" Primer Pump		
Part No.	Inlet Size	List
502-10*	1"	120.00

9" Primer Pump		
Part No.	Inlet Size	List
502-40*	3/4" or 1 1/2"	310.00



For 4" thru 6" pumps. Has an automatic shutoff valve built in the diaphragm.

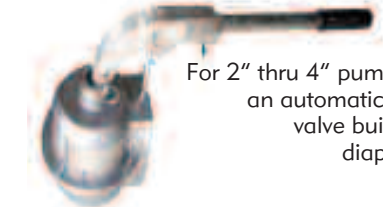
← New improved brass check valve.



The HAN-D pumper will pump air, water, mud, sewage & other materials at 40 gpm.
#700 has suction lift 20'
#900 has suction lift 15'

7" Primer Pump		
Part No.	Inlet Size	List
502-30*	1" or 1 1/2"	230.00

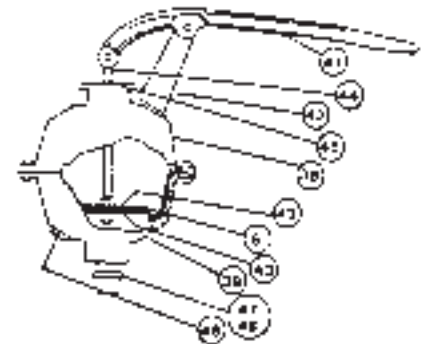
Protek 700 & 900			
Part No.	Model	Inlet/Outlet	List
502-60	#700	1 1/2"	625.00
502-70	#900	2"	725.00



For 2" thru 4" pumps. Has an automatic shutoff valve built in the diaphragm.



- Converts centrifugal pumps to self-primers.
- Fast, efficient primer for pumps with high suction lifts.
- Ideal for diesel or gasoline powered engines, direct-coupled pumps.
- Eliminates the risk of burning expensive pump seals.
- Requires minimum maintenance.



Fits 6" & Wade 9-30

Protek #5		
Part No.	Inlet Size	List
502-20	1/2"	166.00

#35 Power Primer		
Part No.	Description	List
502-90	AC Power(1/2H)	3080.00
502-50	DC Power(12v)	3120.00



- Fast, efficient priming using engine manifold vacuum while engine runs at low speed.
- All working parts enclosed in fully transparent plastic housing...permits observation of primer operation at all times.
- Lightweight plastic float with rubber "cup type" valve provides instant and positive closure as soon as priming is completed.
- Easy to operate...simply start engine and open one valve to begin priming.
- Can be readily installed on any gasoline or LPB engine of four or more cylinders to provide suction lifts upto 20 feet.

Manifold Primer

Protek 1000		
Part No.	Suction Lift	List
502-80	20'	350.00



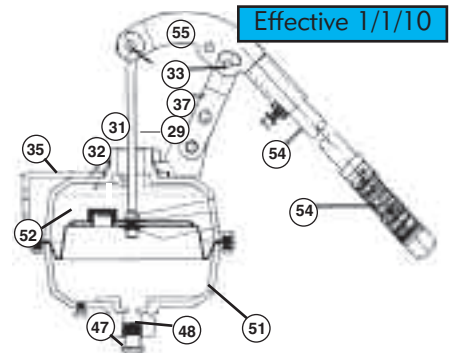
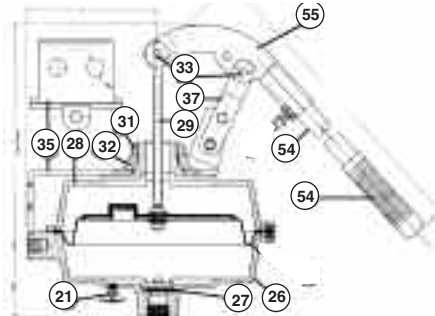
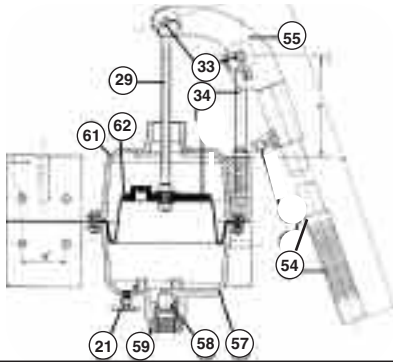
Other Primers	
Exhaust Primers	Diaphragm Pumps
Call for specifications and Prices	

*Denotes volume discount

Terms: See Discount Schedule

Pump Diaphragms		
Part No.	Description	List
502-01	Protek #5 & Singer	49.60
502-02	Berkeley 6D	12.50
502-03	7" Protek-C106	36.00
502-04	9" Protek, Berk.	50.00
502-05	Byco KB6	31.50
502-06	6" Wade 9-30	17.00
502-07	Protek 700	74.60
502-08	Protek/Berk.900	69.30

Parts 6" Primer Wade 9-30		
Part No.	Description	List
502-06	6" Diaphragm	17.00
502-38	Body, Top	36.70
502-39	Body, Lower	36.70
502-41	Handle 9-30	24.75
502-42	Handle Support	9.20
502-43	Steel Disc	4.70
502-44	Rod & Nut	5.50
502-45	Lock Nut	3.70
502-46	Rubber Valve	7.75
502-47+	Ball valve w/ball	10.50
502-48+	Stainless ball	6.40
502-54+	Handle & grip	19.40
502-55+	Handle Bracket	38.00
+Also fits Protek #5, #7, or #9		



Effective 1/1/10

Parts Protek #5

Part No.	Description	List
502-01	#5 Diaphragm	49.60
502-21+	Drain cock	8.60
502-29+	Connecting rod	10.20
502-33+	Fast pin (2)	3.20
502-34	Fulcrum eye bolt	15.90
502-54+	Handle & grip	19.40
502-55+	Handle bracket	38.00
502-57	Lower housing	66.70
502-58	Check valve	3.50
502-59	Valve Bushing	27.00
502-61	Upper housing	66.70
502-62	Diaphragm plate	9.00

+Also fits Protek #7 or #9

Parts 9" Primer

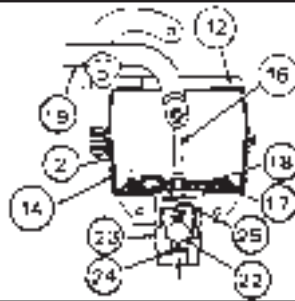
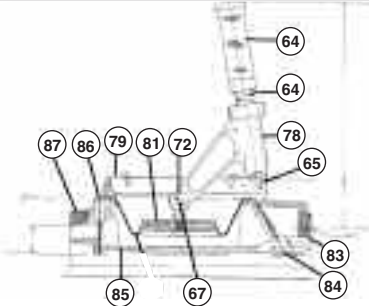
Part No.	Description	List
502-04	#9 Diaphragm	50.00
502-21+	Drain cock	8.60
WP-1+	Drain Plug	.55
502-26	Lower housing	85.00
502-27	Check valve	2.50
502-28	Upper housing	86.00
502-29+	Connecting rod	10.20
502-31+	Lock nut 1 1/2"	10.90
502-32+	Fulcrum bracket	27.60
502-33+	Fast pin	3.20
502-35+	Mounting bracket	29.40
502-37+	Fulcrum link	10.20
502-54+	Handle & grip	19.40
502-55+	Handle bracket	38.00

+Also fits Protek #5 or #7

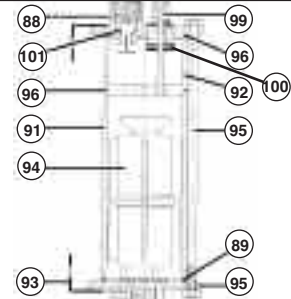
Parts 7" Primer

Part No.	Description	List
502-03	7" Diaphragm	36.00
502-21+	Drain cock	8.60
502-29+	Connecting rod	10.20
502-31+	Locknut 1 1/2"	10.90
502-32+	Fulcrum Bracket	27.60
502-33+	Fast pin	3.20
502-35+	Mounting Bracket	29.40
502-37+	Fulcrum Link	10.20
502-47	Ball Valve w/ball	10.50
502-48	Stainless Ball	6.40
502-51	Lower housing	69.50
502-52	Upper housing	69.50
502-54+	Handle & grip	19.40
502-55+	Handle bracket	38.00

+Also fits Protek #5 or #9



Parts are also available for Byco KB6, Protek exhaust primers & other makes pumps.



Parts Protek #900

Part No.	Description	List
502-64+	Handle & grip	35.00
502-65+	Fulcrum pin	13.00
502-67+	Connecting pin	3.85
502-72+	3/8 Eyebolt w/nut	3.20
502-78	Fulcrum	65.50
502-79	Retainer ring	107.00
502-81	Lower/upper plate	22.65
502-83	Discharge flange	76.40
502-84	Discharge valve	30.40
502-86+	Suction valve	30.85
502-87	Suction flange	70.75

+Also fits Protek #700

Parts Berkeley 6D

Part No.	Description	List
502-02	6D Diaphragm	12.50
502-12	Body, top #6D	N/A
502-14	Bottom #6D	N/A
502-15	Clevis pin/cotter	8.00
502-16	Rod #6D	18.00
502-17	Plate, bottom 6D	N/A
502-18	Plate, top #6D	N/A
502-19	Handle #6 & 6D	N/A
502-22	Rod & Ball #6D	N/A
502-23	Valve seat #6D	78.60
502-24	Valve guide #6D	4.55
502-25	Valve spring #6D	N/A

Parts Protek 1000

Part No.	Description	List
502-88	Top cover assy.	115.30
502-89	Lower cover ass	68.40
502-91	Lower housing	35.80
502-92	Upper housing	31.95
502-93	Brackets	13.60
502-94	Float Assembly	40.75
502-95	Tie bolts w/nuts	10.80
502-96	Gaskets	1.15
502-97	Angle valve	39.70
502-98	Packing gland	21.35
502-99	Valve stem assy.	30.95
502-100	Cork seal washer	3.55
502-101	3/8" Ball with pin	3.10